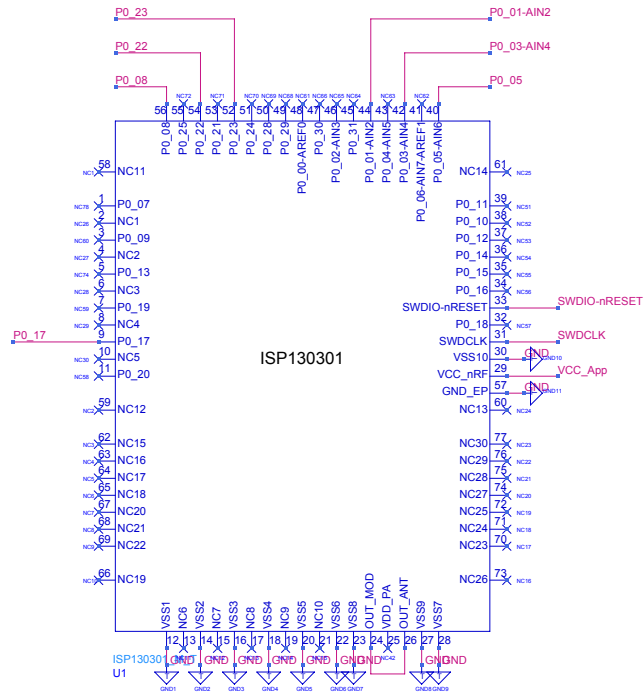


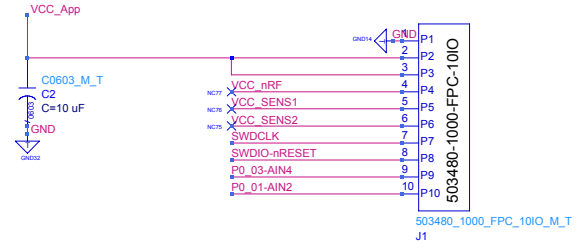
Revisions			
Rev	Description	Approved	Date
0	Initial Schematic	PC	0011/2013
A	Version for Manufacture	PC	0015/2013

AGNEL SENSORS BOARD

Company: Insight SIP			
Customer: Insight SIP			
Approvals		Date	
Drawn: Pascal CHAIS	0011/13		
Checked: CHABBI EL HASSANE	0011/13		
Issued: Pascal CHAIS	0011/13		
Last ESR: 10/16/13		Title: SCHEMATIC DRAWING AGNEL SENSORS BOARD	
File name: SC131002		A1	Drawing no: SC131002
Scale: NA		Rev: A	
		Sheet 1/2	



ISP130301



UART :
P0_01-AIN2 = TXD
P0_03-AIN4 = RXD

