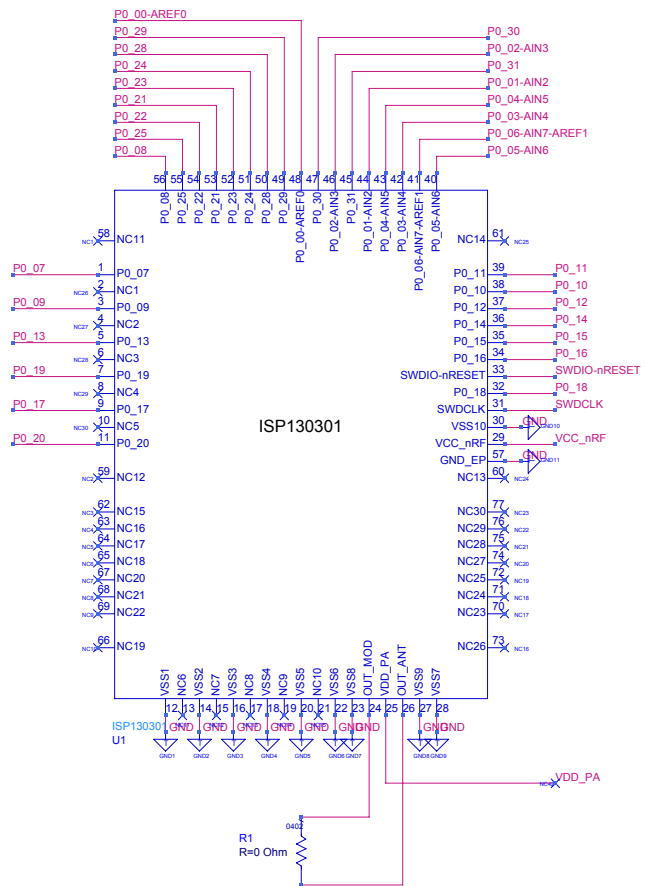


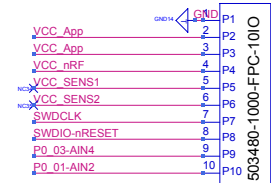
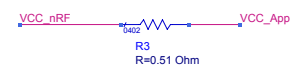
Revisions			
Rev	Description	Approved	Date
0	Initial Schematic	PC	05/11/2013
A	Version for Manufacture	PC	07/24/2013
A2	Version for Manufacture	PC	01/10/2014
B2	Version for Manufacture	PC	03/26/2014

AGNEL TEST BOARD

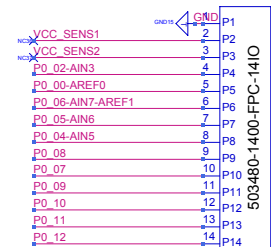
Company: Insight SIP		Customer: Insight SIP	
Approvals		Date	
Drawn: Pascal CHAIS	06/11/13	Title: SCHEMATIC DRAWING AGNEL TB	
Checked: CHABÉ EL HASSAN	06/11/13		
Issued: Pascal CHAIS	06/11/13		
Last Edt: 03/26/14			
File name: SC130602	A1	Drawing no: SC130602	Rev: B2
Scale: NA			Sheet 1/2



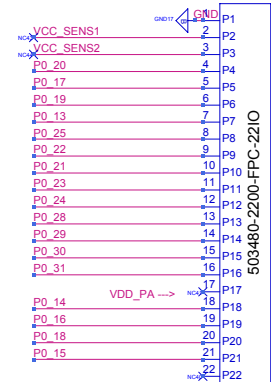
UART :
 P0_01-AIN2 = TXD
 P0_03-AIN4 = RXD



503480_1000_FPC_10IO_T
J2



503480_1400_FPC_14IO_T
J3



503480_2200_FPC_22IO_B
J4