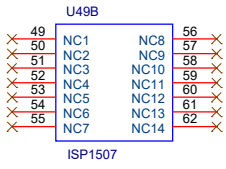
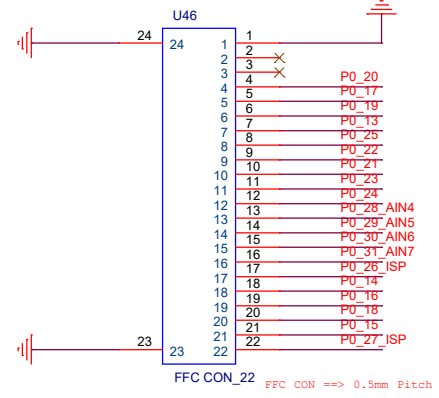
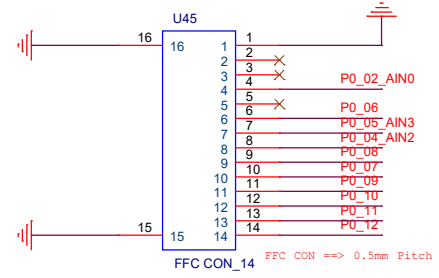
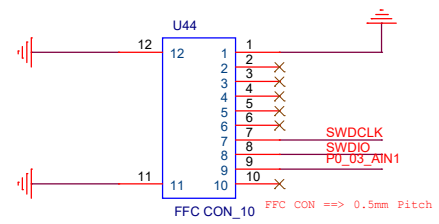


Low drive, low strength I/O recommendation because these GPIO pins are near to RF part



ISP1507
 Homepage : <https://www.insightsip.com/products/bluetooth-smart-modules/isp1507>
 Datasheet : https://www.insightsip.com/fichiers_insightsip/pdf/ble/ISP1507/isp_ble_DS1507.pdf



Title		<Title>
Size	Document Number	Rev
B	<Doc>	<RevCode>
Date:	Thursday, November 02, 2017	Sheet 1 of 1