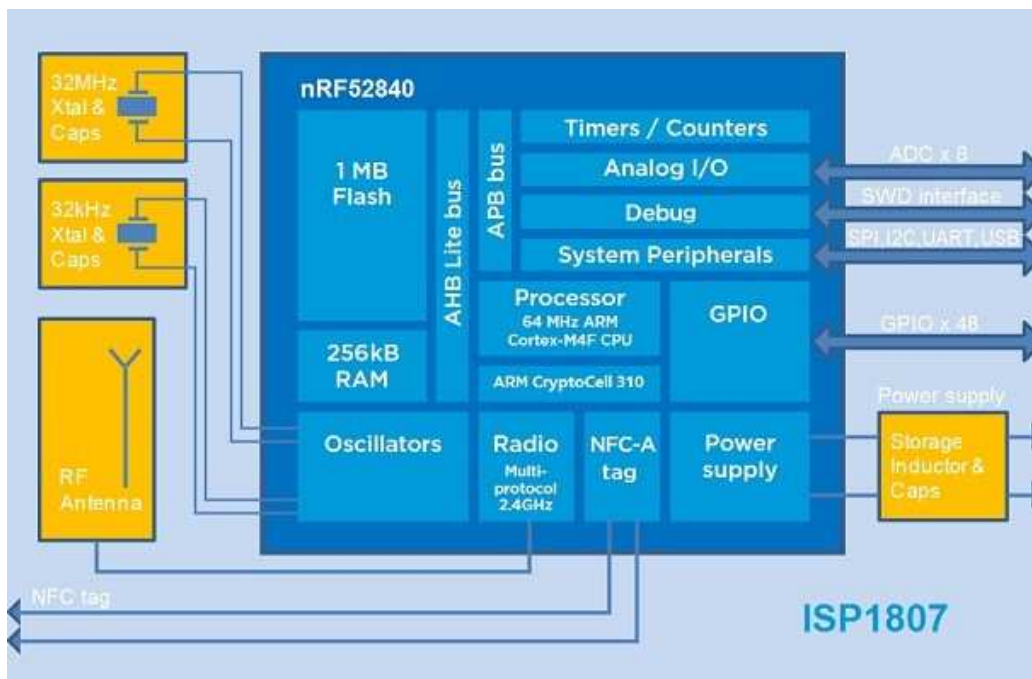


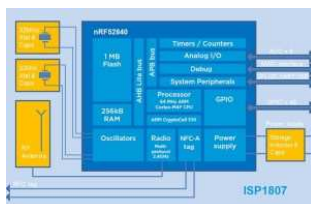


## Electronica: Miniature Bluetooth 5.0 Long range Module for IoT

November 14, 2018



***A miniature BLE module by InsightSIP, based on the nRF52840 chip from Nordic Semiconductor represents the state of the art in Bluetooth 5 Long Range module technology.***



InsightSIP unveiled ISP1807, a fully Bluetooth 5.0 Long Range RF module in a miniature 8 x 8 x 1mm SIP package at Electronica.

At 8x8x1 mm, the firm believes this is the smallest fully integrated Bluetooth Low Energy (BLE) module on the market. It offers a Bluetooth 5 stack including long range, high throughput, advertising extensions and improved coexistence, in addition with IPv6 connectivity, Mesh capabilities, and thus can form the hub of IoT (Internet of Things) solutions.

### High-performance combo module: Long-range Bluetooth 5 / THREAD / ANT+ / NFC / Low Energy module with MCU and antenna

With an M4 floating point processor, the ISP1807 Bluetooth Smart Module is able to do fast calculations, and run advanced calculations, and with a large memory capacity, is able to support sophisticated applications. The ARM Cryptocell-310 on-chip co-processor offers security and cryptographic functions saves CPU processing time and reduces energy consumption. In many cases, this module can eliminate the need for an additional microprocessor and/or additional memory that might have been necessary for previous generation products, saving cost of the total solution, the company said.

This increased computing capability comes coupled with best-in-class battery life, with power consumption around 20-50% lower than previous generations of technology, (depending on the exact use-case), making this Bluetooth Low Energy / BLE module without compromise.

The addition of integrated NFC touch-to-pair capability adds a further feature that would have previously required additional components. ISP1807 is also supporting additional protocols like ANT+, THREAD and Nordic 2.4 GHz proprietary protocol.

**READ**      **Compact GaN Power Amplifier For  
Broadband Military & Commercial  
Applications**

With its tiny size, high performance and wide feature set, the ISP1807 BLE Module truly represents a case where "less is more". It is the ideal choice where solutions require complex applications, fast processing and/or best in class power consumption. Thanks to pin to pin compatibility with ISP1507, it also provide an easy upgrade of already designed applications.

## Applications

- Advanced Wearables: watches, fitness devices, wireless payment wearables, connected health, augmented reality applications ...
- Smart Home sensors and controllers
- Industrial IoT sensors and controllers
- Advanced remote controls
- Remote & Gaming controllers
- Beacons

For further details, visit <https://www.insightsip.com>

Share this:



### Related

[Bluetooth 5 SiP Module For IoT & Wearables](#)  
September 12, 2018  
In "Components"

[Bluetooth Module Offers 400-Meter Range](#)  
March 16, 2016  
In "Development Kits"

[Create Bluetooth Designs For IoT Applications Without MCUs](#)  
August 18, 2015  
In "Applications"

